



Slider L70
Slider L100

SALICE



Slider L70

Slider L70



L70 is the coplanar system for cabinets with doors weighing up to 70 kg each. Thanks to the exclusive patented design of the Slider range, the precision-built carriages and tracks and to the revolutionary linear magnetic damper, **L70** delivers the smoothness and lightness of touch typical of Salice even with particularly heavy doors.

Available in two- or three-door variants, it can be specified with a customisable front cover. Its features of reliability, modularity and capacity make **L70** ideal for wardrobes in the bedrooms and for all large cabinets in general.



Slider L70



Technical information

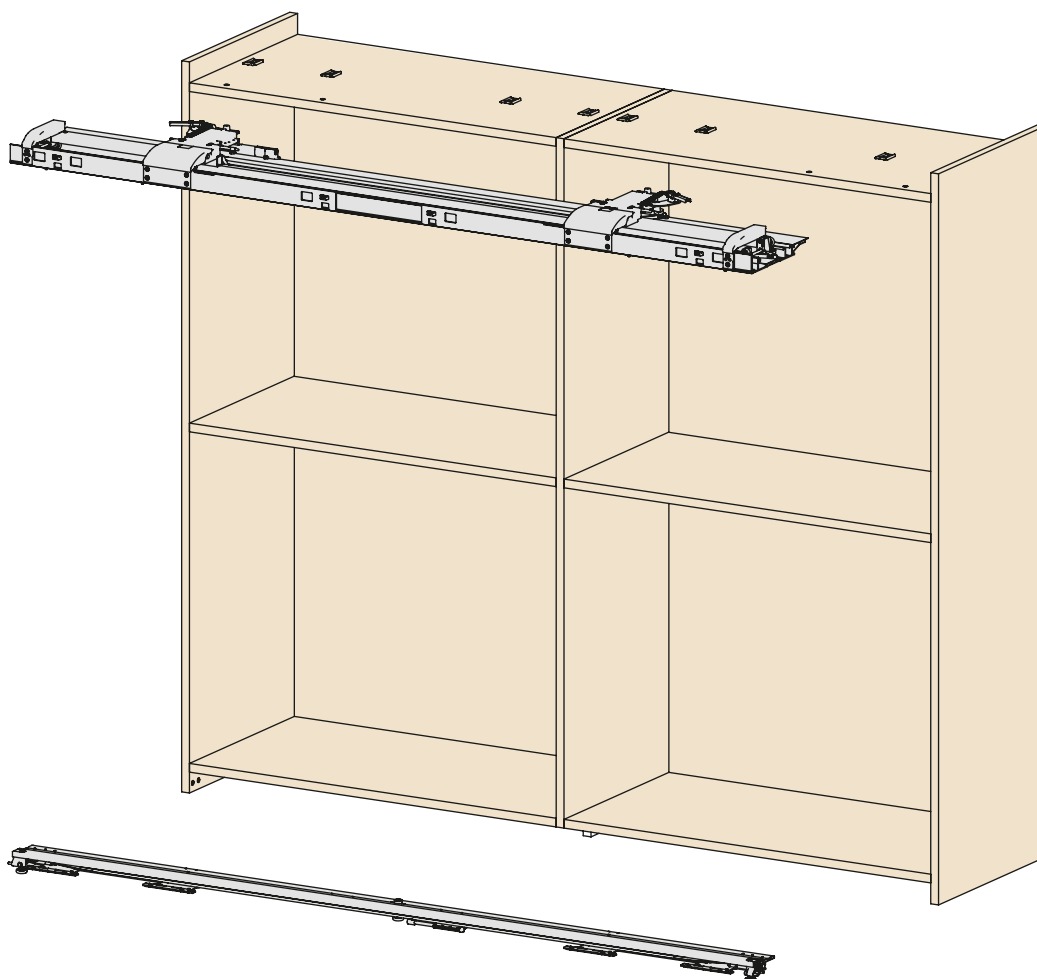
Coplanar two and three-door system with linear magnetic damper.
Capacity 70 kg per door.

Individual door properties:

- max. weight per door 70 kg (evenly distributed)
- width: - min. 800 mm
- max. 2000 mm
- height: - max. 3000 mm
- thickness: - min. 18 mm
- max. with handle 45 mm
- material: a) wood or derived material
b) glass with metal frame

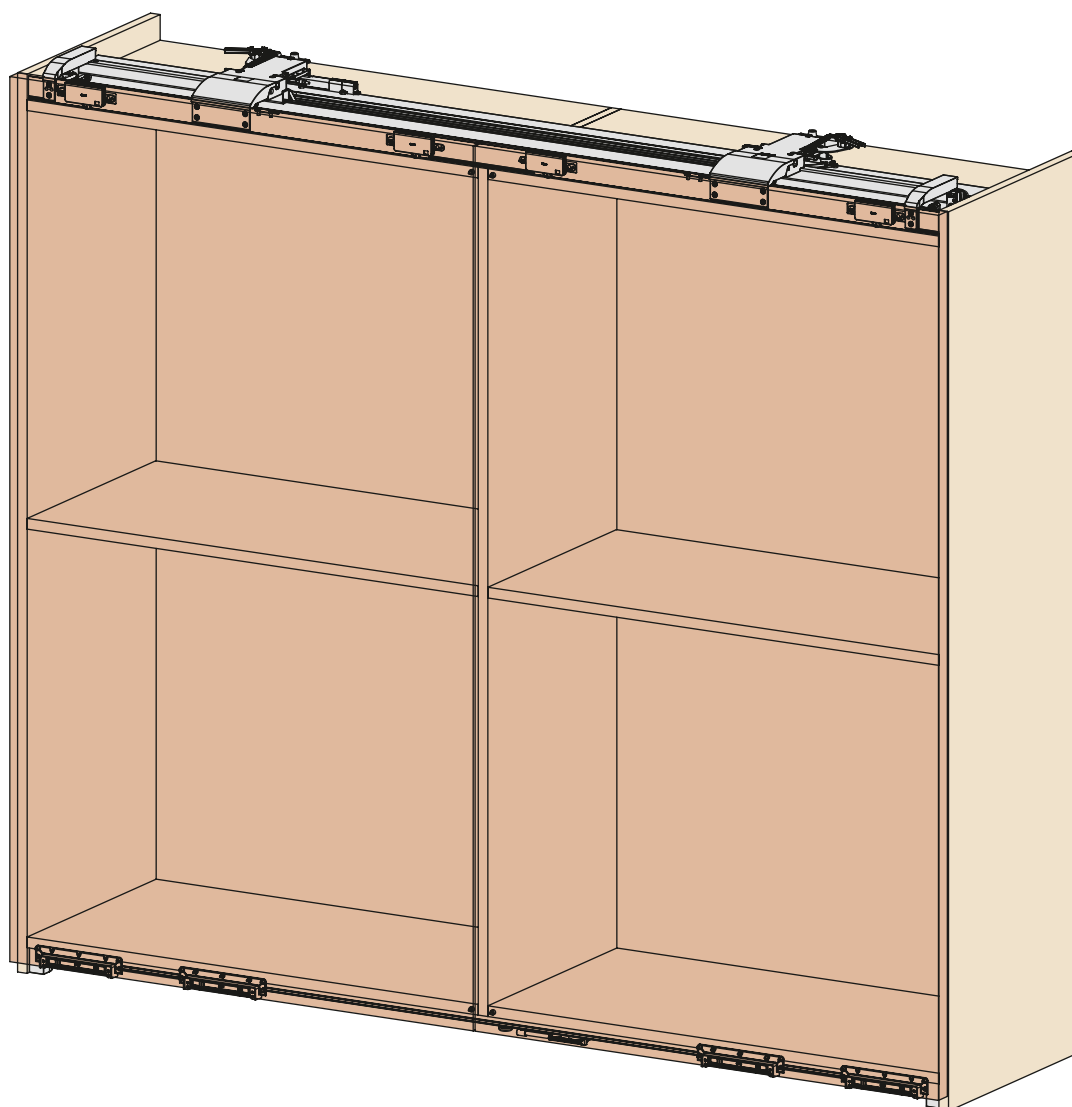
Door adjustment:

- vertical adjustment ± 5 mm
- horizontal adjustment ± 3.5 mm
- front adjustment: - upper ± 4 mm
- lower $\pm 1,5$ mm



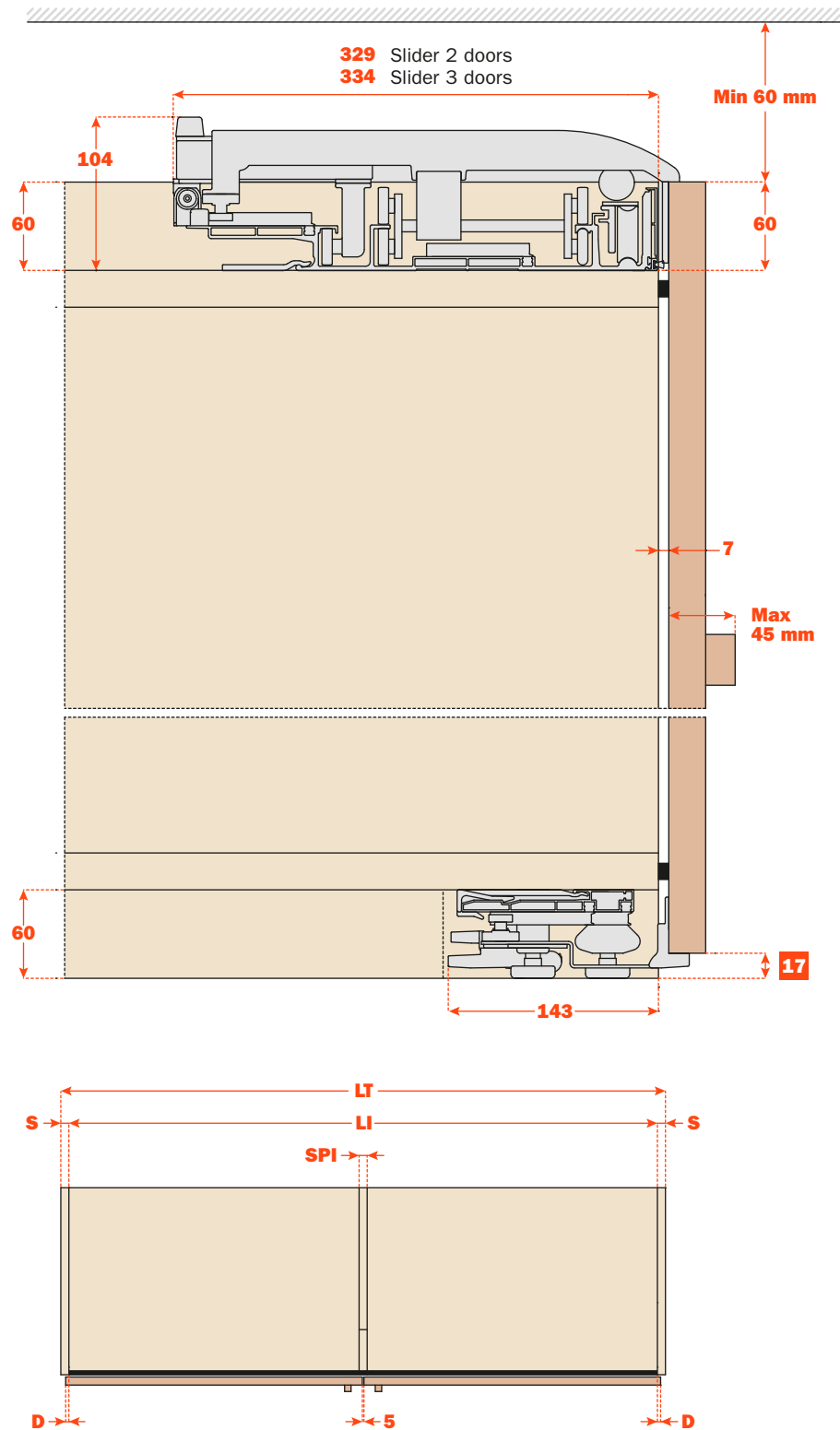
Key feature

- Soft closing with magnetic technology.
- Aluminium and PVC guide tracks for smooth, silent movement.
- Pre-assembled mechanism for fast, safe assembly.
- Cushioned opening and closing.
- Extremely tough and long-lasting, subjected to 100,000 cycles of the stress test.
- Available also in 3-door configuration.

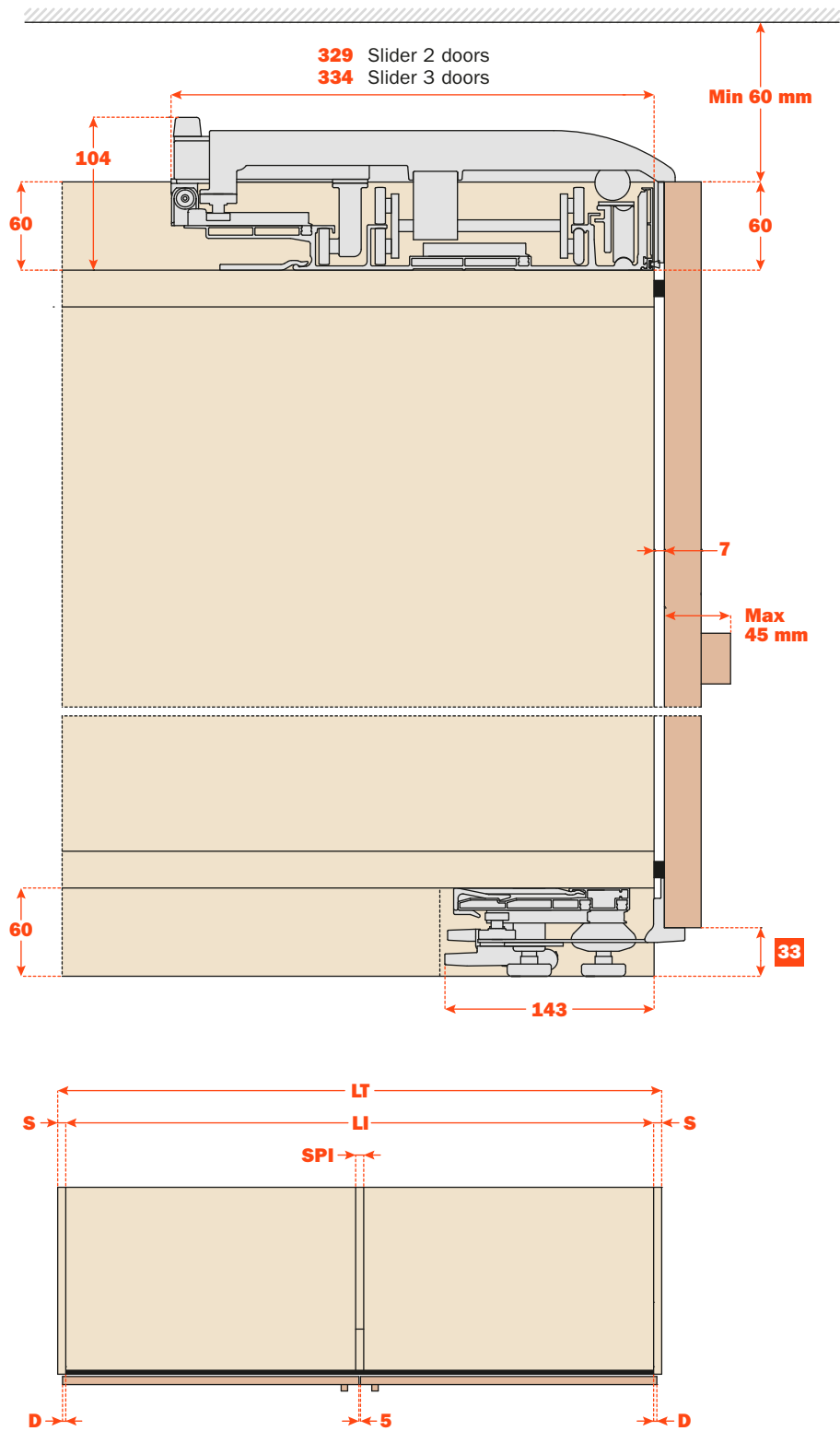


Slider L70 - Types of assembly

Type 17



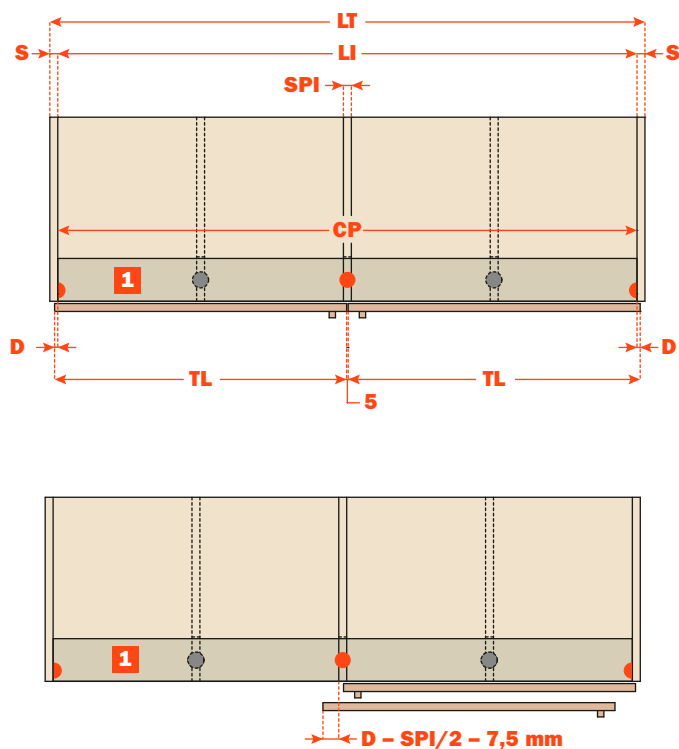
Type 33



Slider L70 - How to order

Customised systems - 2 doors

Slider L70 can be supplied in customised lengths, i.e., designed for installation on cabinets with internal width (**LI**) equal to the length of the slider rail (**CP**).



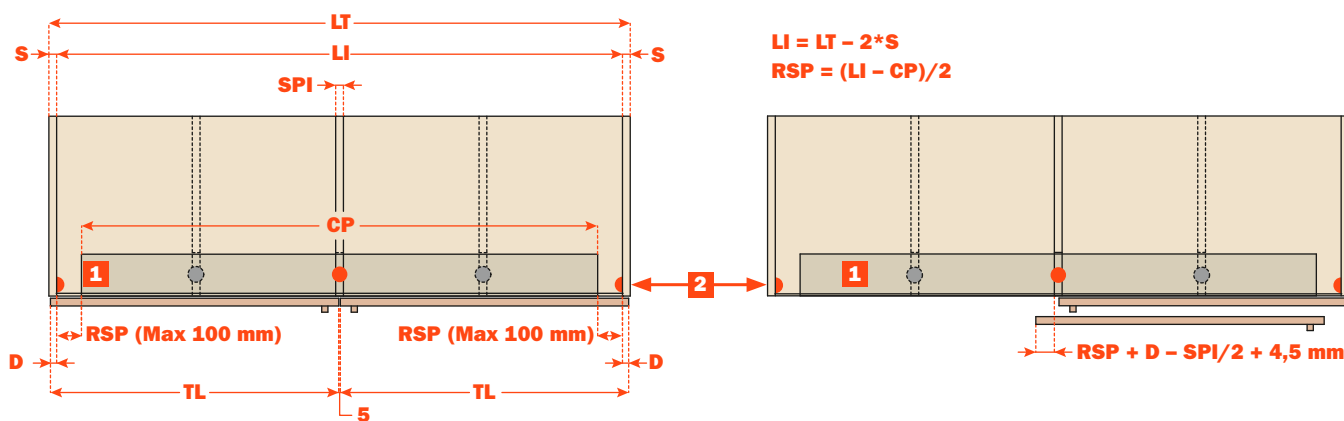
1 Upper and lower sliding mechanism.

● Feet supplied with the slider rail.

● Optional feet, on request.

Standard - 2 doors

Slider L70, 2 doors, standard, can be installed on wardrobe with dimension (**LI**) up to 200 mm longer than mechanism itself. In this case there is a consequent reduction in the opening of the doors determined by the following formula: **(RSP + D - SPI/2 + 4,5 mm)**.



- 1 Upper and lower sliding mechanism.
- 2 Front cover.
- Feet supplied with the slider rail.
- Additional feet supplied with slider rail **CP** over 2999 mm.

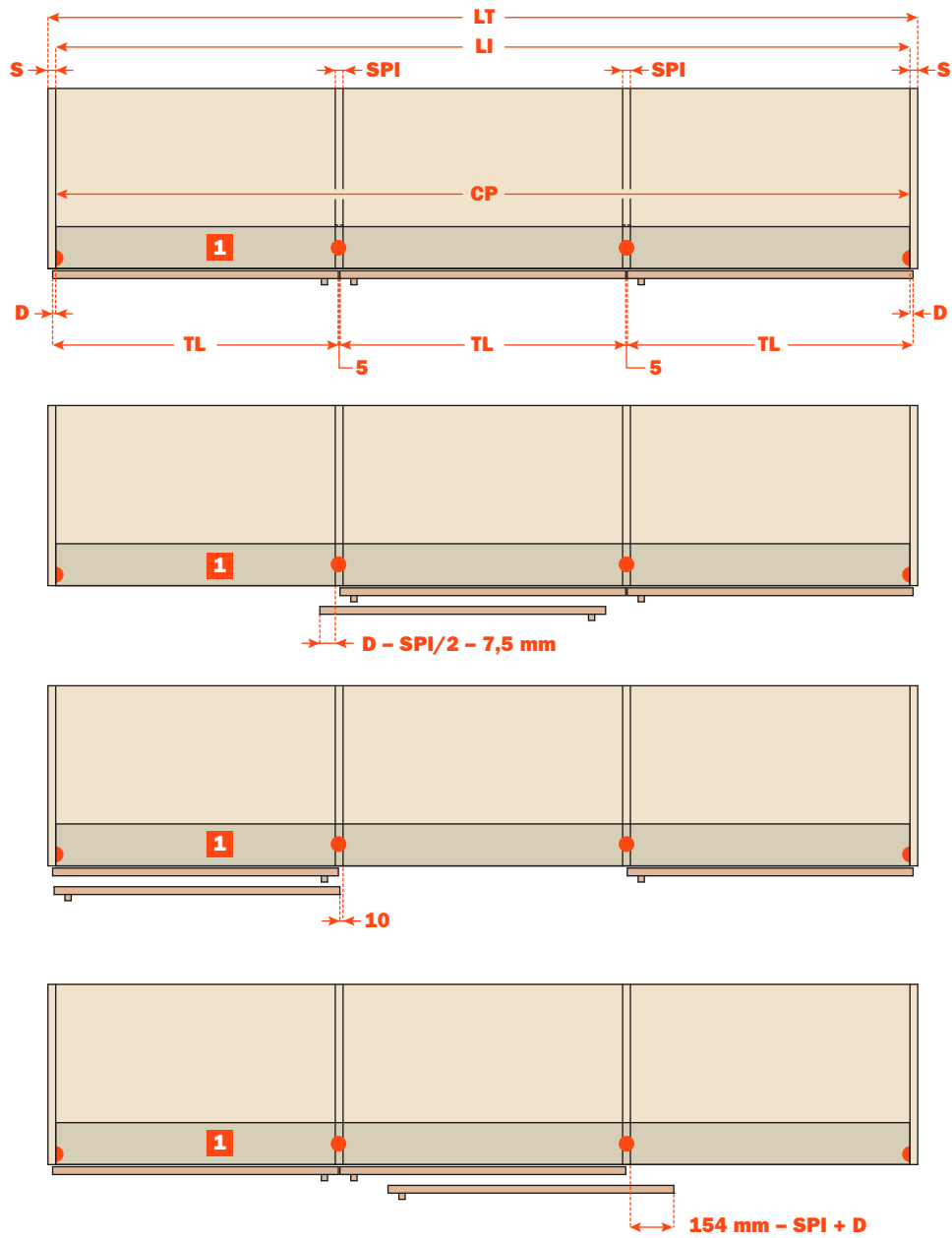
Table of standard mechanisms.

Description		Part number	LI (mm)	CP (mm)
Slider L70 2 doors	SL16-18	VE30FA01600NN	1600÷1799	1599
	SL18-20	VE30FA01800NN	1800÷1999	1799
	SL20-22	VE30FA02000NN	2000÷2199	1999
	SL22-24	VE30FA02200NN	2200÷2399	2199
	SL24-26	VE30FA02400NN	2400÷2599	2399
	SL26-28	VE30FA02600NN	2600÷2799	2599
	SL28-30	VE30FA02800NN	2800÷2999	2799
	SL30-32	VE30FA03000NN	3000÷3199	2999
	SL32-34	VE30FA03200NN	3200÷3399	3199
	SL34-36	VE30FA03400NN	3400÷3599	3399
	SL36-38	VE30FA03600NN	3600÷3799	3599
	SL38-40	VE30FA03800NN	3800÷3999	3799

Slider L70 - How to order

Customised systems - 3 doors

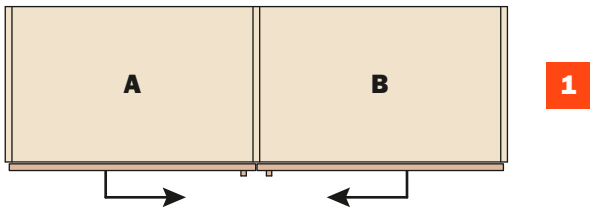
Slider L70 can be supplied in customised lengths, i.e., designed for installation on cabinets with internal width (**LI**) equal to the length of the slider rail (**CP**).



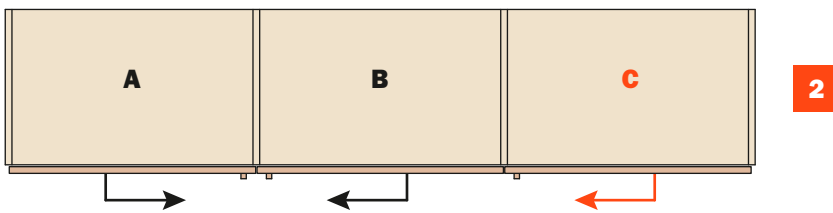
1 Upper and lower sliding mechanism.

● Feet supplied with the slider rail.

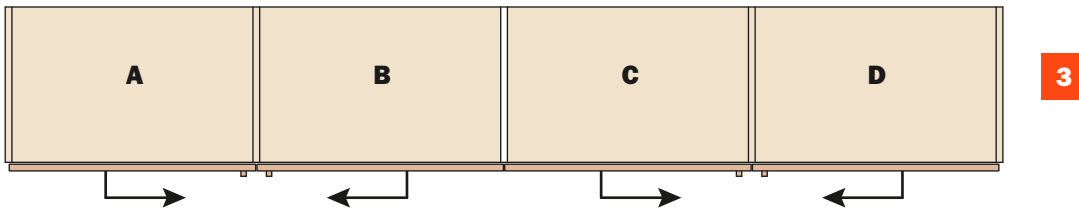
Possible solutions



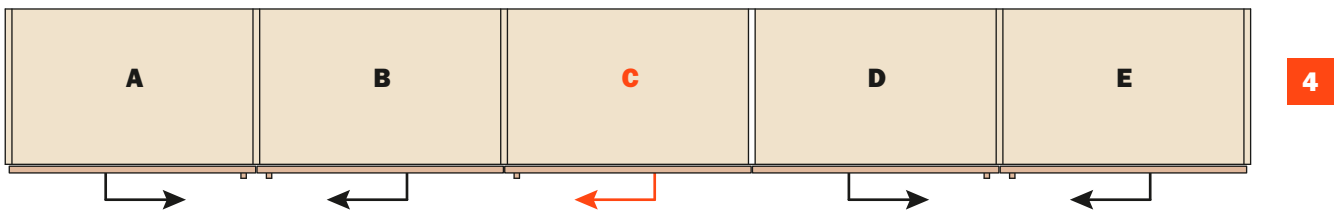
A Total opening
B Total opening



A Total opening
B Total opening
C Partial opening



A Total opening
B Total opening
C Total opening
D Total opening



A Total opening
B Total opening
C Partial opening
D Total opening
E Total opening



Slider L100

Slider L100



Slider L100 is the coplanar system for cabinets with doors weighing up to 100 kg. Based on L70, it pushes the limits further, delivering the smoothness and lightness of touch typical of Salice even with particularly heavy doors.

Available in two- or three-door variants, it can be specified with a customisable front cover. Its features of reliability, modularity and capacity make **L100** ideal for wardrobes in bedrooms and for all large cabinets in general.



Slider L100



Technical information

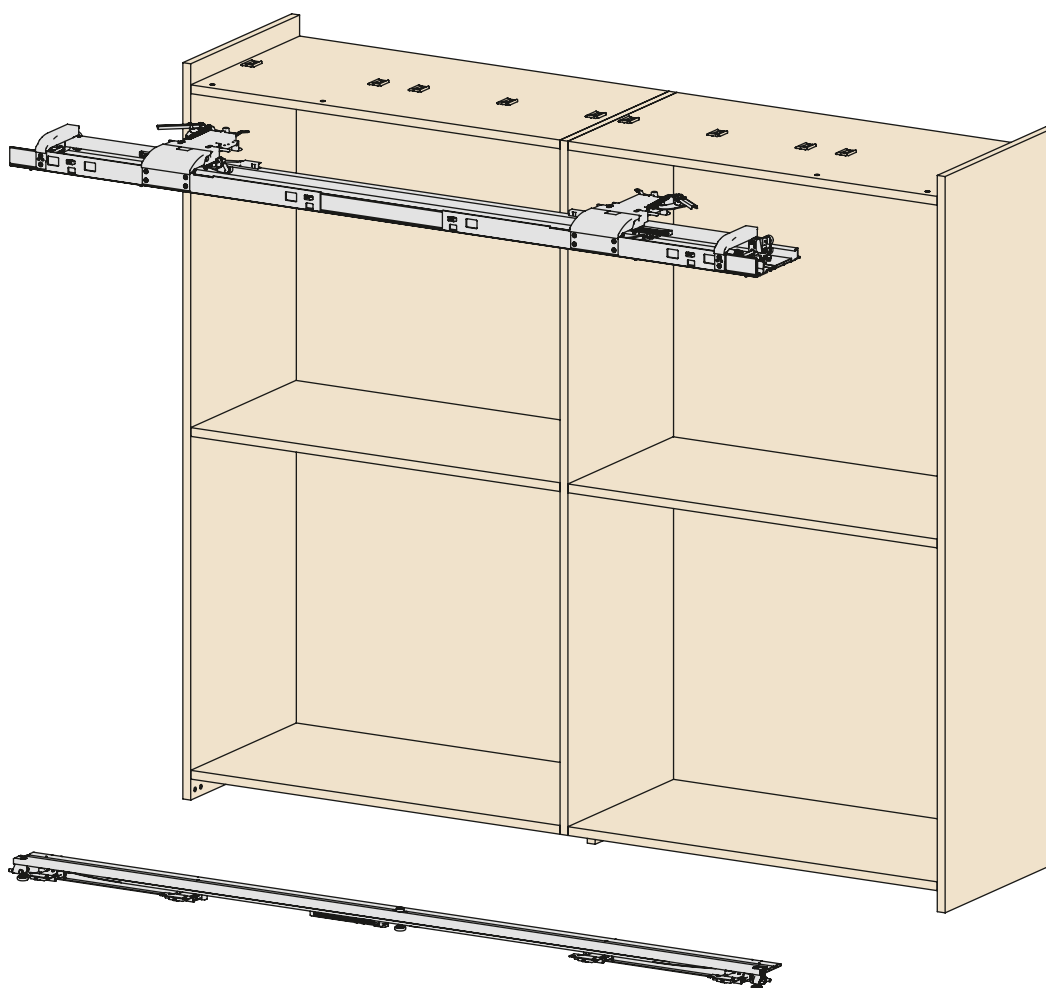
Coplanar two-door cushioned sliding system.
Capacity 100 kg per door.

Individual door properties:

- max. weight per door 100 kg (evenly distributed)
- width: - min. 800 mm
- max. 2000 mm
- height: - max. 3000 mm
- thickness: - min. 18 mm
- max. with handle 45 mm
- material: a) wood or derived material
b) glass with metal frame

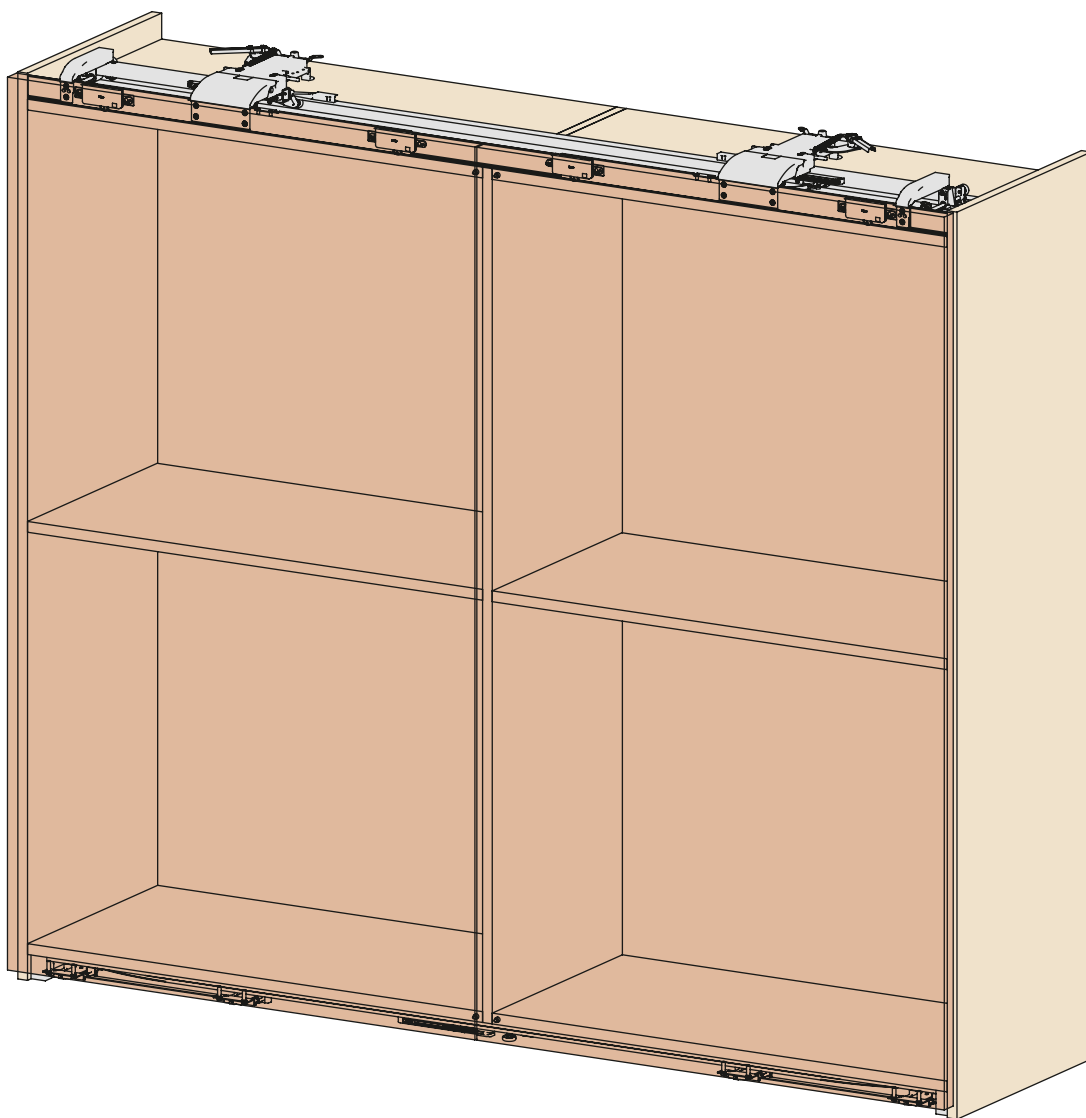
Door adjustment:

- vertical adjustment ± 5 mm
- horizontal adjustment ± 3.5 mm
- front adjustment: - upper ± 4 mm
- lower ± 3 mm



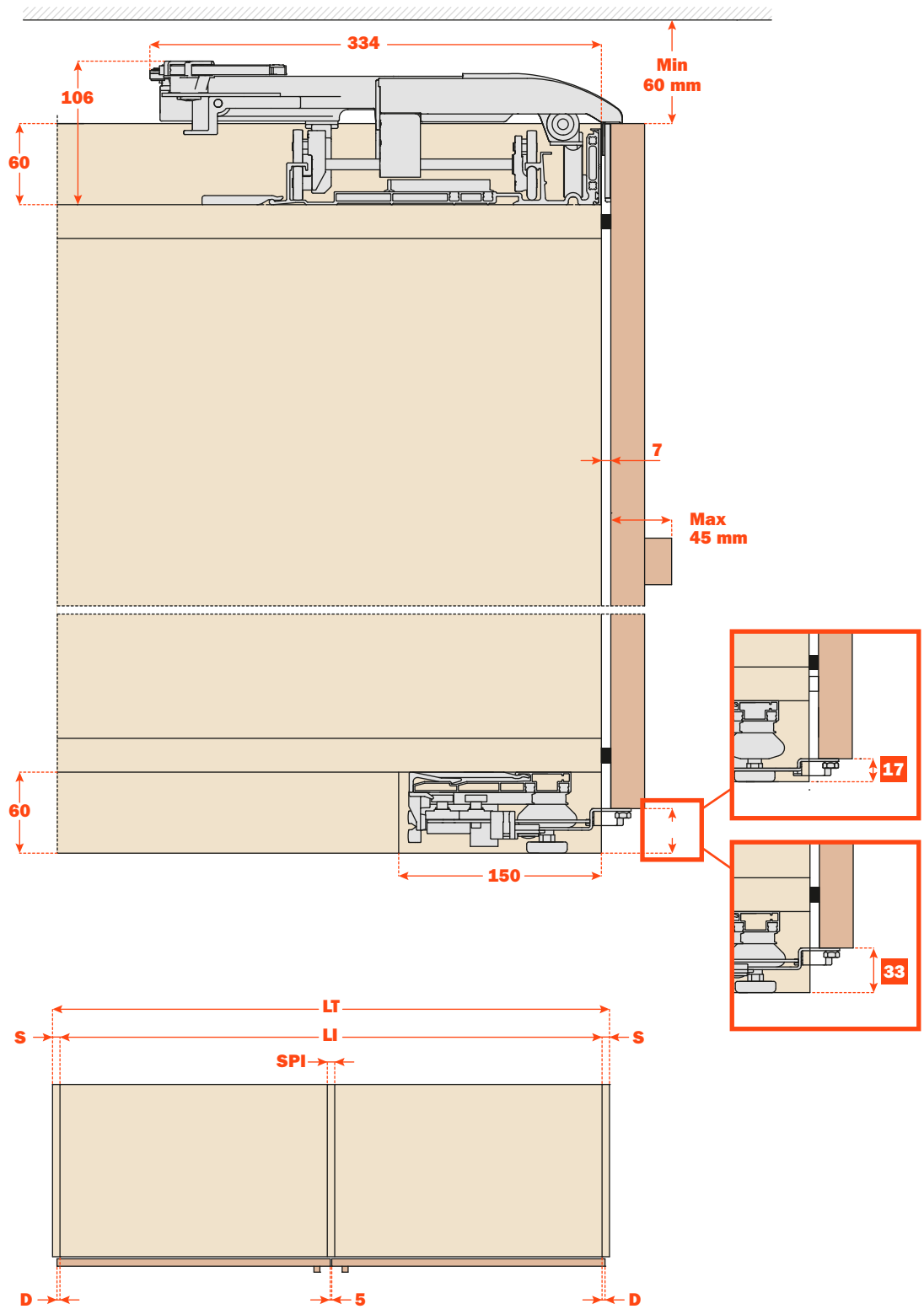
Key feature

- Soft closing with linear damper.
- Aluminium and PVC guide tracks for smooth, silent movement.
- Curves designed to fit the unit size.
- Pre-assembled mechanism for fast, safe assembly.
- Smooth cushioned opening and closing.
- Extremely tough and long-lasting, subjected to 100,000 cycles of the stress test.



Slider L100 - Types of assembly

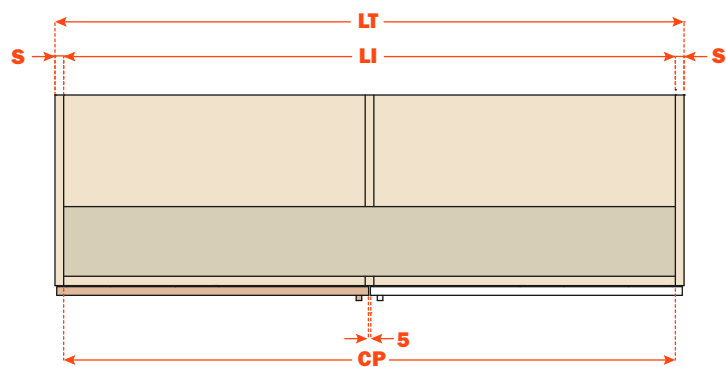
Type 17-33



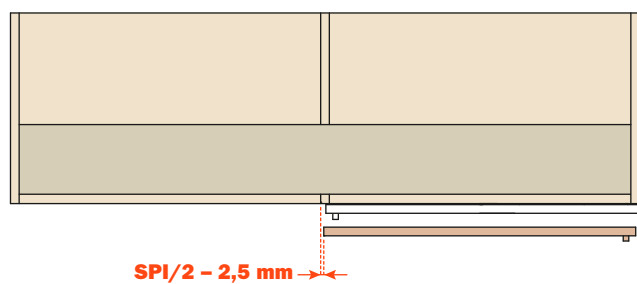
How to order

Customised systems

Slider L100 can be supplied in customised lengths, i.e., designed for installation on structures with internal widths (**LI**) equal to the length of the slider rail (**CP**).



$$LI = LT - 2 * S$$
$$CP = LI - 1 \text{ mm}$$



Slider L100 - How to order

Standard

Slider L100 are available in standard lengths, i.e., designed for installation on cabinets with internal widths (**LI**) that measure up to 200 mm longer than the slider rail (**CP**) (Fig. A).

Attention: the opening of the doors may be restricted (see the formula in Fig. B).

Fig. A

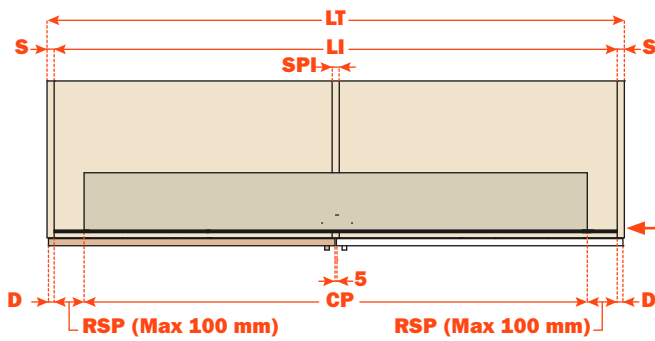
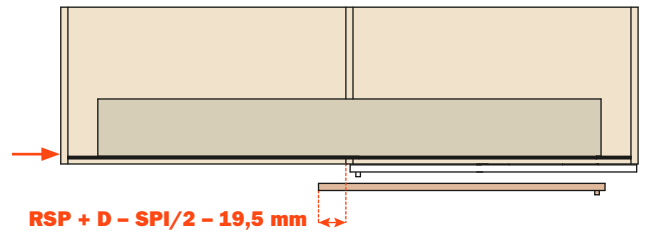


Fig. B

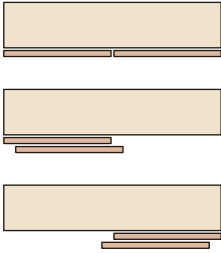
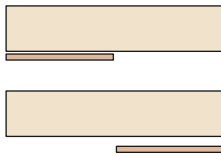
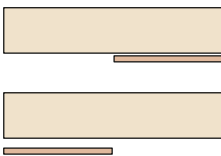
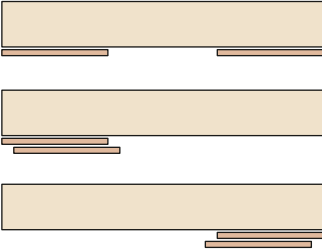
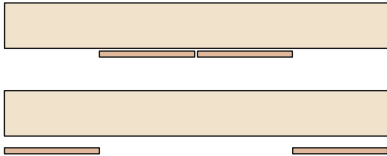
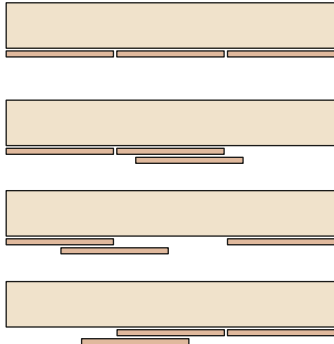
LI = LT - 2*S
RSP = (LI - CP)/2



* Front cover.

Description		Part number	LI (mm)	CP (mm)
Slider L100 2 doors	SM16-18	VE30DC01600NN	1600÷1799	1599
	SM18-20	VE30DC01800NN	1800÷1999	1799
	SM20-22	VE30DC02000NN	2000÷2199	1999
	SM22-24	VE30DC02200NN	2200÷2399	2199
	SM24-26	VE30DC02400NN	2400÷2599	2399
	SM26-28	VE30DC02600NN	2600÷2799	2599
	SM28-30	VE30DC02800NN	2800÷2999	2799
	SM30-32	VE30DC03000NN	3000÷3199	2999
	SM32-34	VE30DC03200NN	3200÷3399	3199
	SM34-36	VE30DC03400NN	3400÷3599	3399
	SM36-38	VE30DC03600NN	3600÷3799	3599
	SM38-40	VE30DC03800NN	3800÷3999	3799

Available versions

<p>Standard</p>		<p>Slider L70 Slider L100</p>	
<p>One</p>		<p>Slider L70</p>	
<p>One</p>		<p>Slider L70</p>	
<p>Step</p>		<p>Slider L70 Slider L100</p>	
<p>Reverso</p>		<p>Slider L70</p>	
<p>Three doors</p>		<p>Slider L70</p>	

ARTURO SALICE S.p.A.

VIA PROVINCIALE NOVEDRATESE, 10
22060 NOVEDRATE (COMO) ITALIA
TEL. 031 790424 - FAX 031 791508
info.salice@salice.com - www.salice.com

DEUTSCHE SALICE GMBH

RUDOLF DIESEL STR. 10
POSTFACH 1154
74382 NECKARWESTHEIM
TEL. 07133 9807-0
FAX. 07133 9807-16
info.salice@deutschesalice.de
www.salice.com

DEUTSCHE SALICE GMBH

VERKAUFSBÜRO NORD
RINGSTRASSE 36/A30 CENTER
32584 LÖHNE
TEL. 05731 15608-0
FAX. 05731 15608-10
vknord@deutschesalice.de
www.salice.com

SALICE UK LTD.

KINGFISHER WAY
HINCHINGBROOKE BUSINESS PARK
HUNTINGDON CAMBS PE 29 6FN
TEL. 01480 413831
FAX. 01480 451489
info.salice@saliceuk.co.uk
www.salice.com

BORTOLUZZI SISTEMI S.p.A.

VIA CADUTI 14 SETTEMBRE 1944, 45
32100 BELLUNO ITALIA
TEL. 0437 930866 - FAX 0437 931442
info@bortoluzzi.com - www.bortoluzzi.com

SALICE FRANCE S.A.R.L.

285 RUE DE GOA ZAC LES 3 MOULINS
06600 ANTIBES
TEL. 0493 330069
FAX. 0493 330141
info.salice@salicefrance.com
www.salice.com

SALICE ESPAÑA, S.L.U.

CALLE COPÉRNICO, 11
POLÍGONO INDUSTRIAL COLL DE LA MANYA
08403 GRANOLLERS (BARCELONA)
TEL. 938 45 88 61
FAX 938 49 11 97
info.salice@saliceespana.es
www.salice.com

SALICE PORTUGAL UNIP. LDA

VIA ROTA DOS MÓVEIS I n.399
4585-325 GANDRA-PAREDES (DISTRITO PORTO)
TEL. 00351 224 154 221
info@saliceportugal.pt
www.salice.com

SALICE CHINA (SHANGHAI) CO. LTD.

1st FLOOR, B1 BLDG 928 MINGZHU ROAD
XUJING, QINGPU DISTRICT
SHANGHAI 201702 - CHINA
TEL. 021 3988 9880
FAX. 021 3988 9882
info.salice@salicechina.com
www.salicechina.com

SALICE INDIA PVT. LTD.

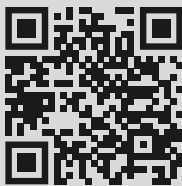
1001 & 1002, 10TH FLOOR,
CENTRUM, PLOT NO. C-3,
OPP. WAGLE PRABHAG SAMITI OFFICE,
MIDC AREA, WAGLE INDUSTRIAL ESTATE,
THANE - 400604, MAHARASHTRA
TEL. 022 20812050
info@saliceindia.com
www.salice.com

SALICE CANADA INC.

3500 RIDGEWAY DRIVE,
UNIT#1
MISSISSAUGA, ONTARIO, L5L 0B4
TEL. 905 820 8787
FAX. 905 820 7226
info.salice@salicecanada.com
www.salicecanada.com

SALICE AMERICA INC.

2123 CROWN CENTRE DRIVE
CHARLOTTE NC. 28227
TEL. 704 841 7810
FAX. 704 841 7808
info.salice@saliceamerica.com
www.saliceamerica.com



Digital contents

We reserve the right to change technical specifications without notice.



DOCASS005ENG Ed. 02 - 09/2022